

POST & TUBING

The proper post and copper tubing selection is essential. Your local gas company or an authorized MHP Distributor can supply these parts. It is recommended that internally tinned 1/4" soft copper tubing be used although tubing without tinning may be substituted. 1/4" flare nuts should be used on both ends. The MHP part number for a 3" post with internals is POB-1 (Black) or POW-1 (White).

NOTE: The torch is for outdoor installation only and must be installed at least 60" (5 ft.) in any direction from any combustible materials.

POST INSTALLATION

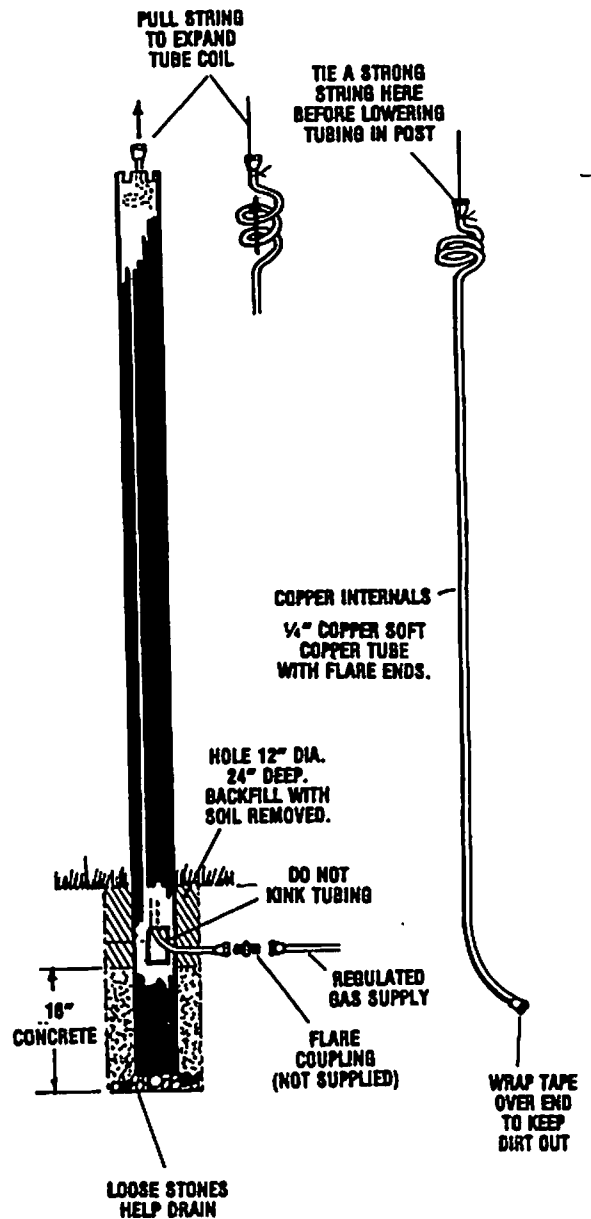
1. Dig a hole approximately 12 inches in diameter and 24 inches deep. Place some large gravel at the bottom for the post to rest on.
2. Set the post in the center of the hole. Brace the post in a plumb (vertical) position and pour concrete (about 1 80 lb. bag) around the post to just below the gas line access hole. LET THE CONCRETE SET HARD BEFORE CONTINUING.
3. Trench the gas line from the house. There must be a gas shut off valve in a convenient location on the gas supply line. The trench can be 8" to 10" deep and the gas line can be protected from accidental digging by laying some treated boards on top before back filling.

PUT TUBING IN POST

1. Put some tape over the lower end of the copper tubing before lowering it into the post. This will keep dirt out until the connection is made. Also, tie a piece of strong string on the upper end of the tubing. As the tubing is lowered, gently pull the lower end from the access hole forming a slow curve out to the trench. Try NOT to kink the tubing. If a kink occurs, squeeze the tubing at the kink with pliers to reform it.
2. Connect the internal tubing to the gas supply line in the trench using a flare coupling (not supplied) of 1/4" on the torch end and fitted to the supply line flare on the other end. No sealant is necessary for flare fittings. USE TWO WRENCHES FOR TIGHTENING.
3. At the top of the post, pull the string to stretch the copper tubing coils and raise the top flare fitting. Remove the string.

INSTALL TORCH

1. Holding only the valve, screw the upper 1/4" flare nut to the valve bottom. Use two wrenches and tighten.
2. Put a fiber washer over the upper section of the valve and insert the valve into the center hole in the bottom of the torch. Carefully lower the torch onto the valve and the torch onto the post. Take care not to crimp or kink the tubing.
3. Align the slot in the top of the post with the screwdriver access hole in the torch collar AND align the valve ON/OFF stem with the access hole also. Tighten the lock screw in the collar to hold the torch to the post. The torch may be repositioned to face a different direction after the valve and burner are tightened together by loosening the collar lock screw.



4. Drop a second fiber washer inside the torch over the valve and thread the torch burner onto the valve. Keep the valve from turning by inserting a screwdriver through the access hole in the collar. Tighten the burner using a 3/4" socket wrench while holding the valve.
5. Be certain the torch gas valve is in the OFF position (screwdriver slot horizontal). Turn on the main gas supply and check all connections for leaks. Use a 50/50 mix of detergent and water. Retighten all leaks as necessary.
6. Using a long butane lighter or suitable fireplace match, turn on the torch valve and light the torch at the top of the diffuser screen. THE INITIAL LIGHTING MAY GENERATE A QUICK BURST OF FLAME.

CAUTION: While in operation and for some time after extinguishing, the torch body will be very hot!

POST & TUBING INFORMATION

Proper post and tubing selection is essential. Your local gas company or an authorized MHP Distributor can supply these parts. 1/4" soft copper tubing that has been internally tinned is recommended. 1/4" flare nuts should be used on both ends.

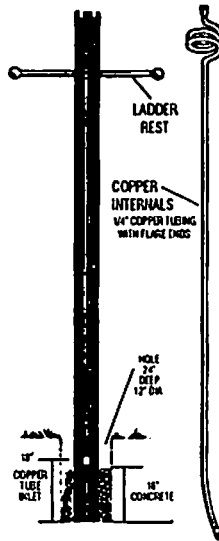
E: The lamp is for outdoor installation only and must be installed at least 12" in any direction from any combustible materials.

POST INSTALLATION

1. Dig a hole in the ground approximately 12" wide by 24" deep.
2. Set the bottom of the post in the center of the hole. Brace the post in a plumb position and pour concrete around the post to just below the level of the gas line access hole.

INSTALL LAMP ON POST

1. If not already furnished, place tubing in post. Tubing should have at least two coils at the top of the post.
2. Connect gas supply line to tubing at the base of the post and tighten flare nuts clockwise. No sealants are necessary.



3. Perform any remaining assembly to the lamp but do not install glass.
 - Remove contents from burner kit box.
 - Install finial to rain cap.
 - Attach valve to gas supply tubing and tighten flare nuts clockwise. Be sure the fittings are tight.
4. Slowly lower the lamp onto the post, guiding the valve up through the center hole in the bottom of the lamp. Take care not to bend or crimp the tubing.
5. Align slot in the top of the post with the access hole in the collar. Align valve stem with the access hole and tighten the lock screw in the collar of the lamp to secure the lamp to the post.
6. Thread the burner tube onto the valve. Keep the valve from turning by inserting a screwdriver through the access hole.
7. Be certain the lamp valve is in the off position before turning on the gas supply.
8. Leaving lamp valve in off position, turn on main gas supply and check all connections for leaks using a soapy solution. Tighten any leaky joints and recheck for leaks.

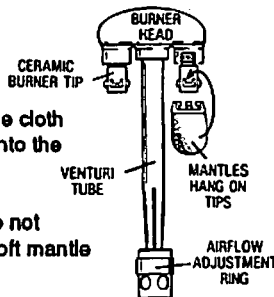
LIGHTING INSTRUCTIONS INVERTED BURNER

— CAUTION—

Turn gas supply off and wait for lamp to cool before starting any repairs. Remove and clean glass when necessary. Replace broken mantels. Refer to steps 1-6 of instructions

IMPORTANT: Gas mantles are very delicate and should not be handled roughly.

- A. Remove new mantle from the container without touching the cloth portion. Hang the mantle on the burner tip, rotating it to fit into the slots on the burner tip.
- B. Nothing should touch the cloth portion, so when lighting, do not touch the match to the mantle itself. (Pull down only on a soft mantle to shape it.)



If a mantle should become damaged, additional mantles may be obtained through your local gas company, gas appliance dealer or hardware store. Always replace both mantles at the same time. Mantles are Modern Home Products' Part No. MTL-2, No. 2 ring size. These are soft mantles requiring shaping.

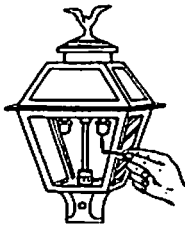
Refer to steps 1-6 for proper lighting procedure.

To clean the glass panels of your lamp, turn the gas off with a screwdriver through the access hole in the lower collar of the lamp. Allow the lamp to cool, remove the glass and wash it. Glass panels may be placed in a dishwasher.



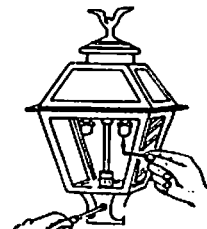
STEP 1

Remove the glass by lifting from the bottom with forefinger, pulling out slightly, and lowering.
NOTE: Proper combustion is essential. Do not obstruct air inlet or outlet vents.



STEP 2

WITH GAS TURNED OFF, hold a lit match up to but not touching the mantle. This will burn off the protective coating (and it will flash slightly). Do not touch the mantle with the match.



STEP 3

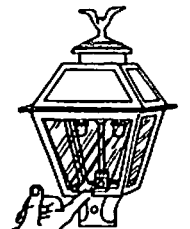
After the mantles have stopped burning, use a screwdriver to slowly turn the gas ON and hold another match up to, but not touching, the mantles to light them. When lit, turn the gas on full.



STEP 4

Your Modern Home lamp is factory set to burn at its most efficient point. However, this adjustment may be changed during shipment. To adjust this, raise or lower the air shutter until the mantles are burning their brightest.

STEP 5
If flame extends above the ceramic mantle ring, turn off lamp valve and contact your local gas company or authorized MHP distributor.
NOTE: Proper combustion is essential. Do not obstruct air inlet or outlet vents.

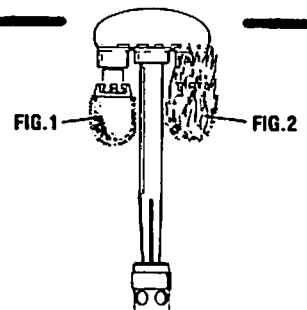


STEP 6

Replace the glass by fitting the top edge into the frame top, holding the glass against the tabs inside the frame. Allow the glass to slide into frame bottom.

MAINTENANCE INSTRUCTIONS

1. Monthly visually inspect the lamps burner flame characteristics. The flame should be contained inside the mantle sack, (Fig. 1) and not extend above the ceramic mantle ring. (Fig. 2). If flame extends above the mantle ring, turn lamp OFF and contact your local gas company or authorized MHP distributor.
2. Proper combustion is essential. Do not obstruct air inlet or outlet vents.
3. Always keep the appliance area clear and free of combustible material, gasoline and other flammable liquids.
4. Turn gas OFF and let lamp cool before performing any maintenance. Periodically remove glass panels and clean with hot soapy water or glass cleaner. Lamp may be repainted with a good quality heat resistant paint after roughing surface with steel wool or sandpaper.





MODERN HOME PRODUCTS

From The People That Pioneered Gas BBQ Grills & Gas Yard Lamps



MODELS HK, GG, HJ & TK GAS LAMPS, PARTS, INSTALLATION AND MAINTENANCE

SPECIAL NOTE

Lamps are set for 7" Water Column pressure on natural gas and 11" W.C. pressure for L.P. gas.

FOR YOUR SAFETY

If you smell gas:

1. Shut off gas to appliance.
2. Extinguish any open flame.
3. If odor continues, immediately call your gas supplier.

FOR YOUR SAFETY

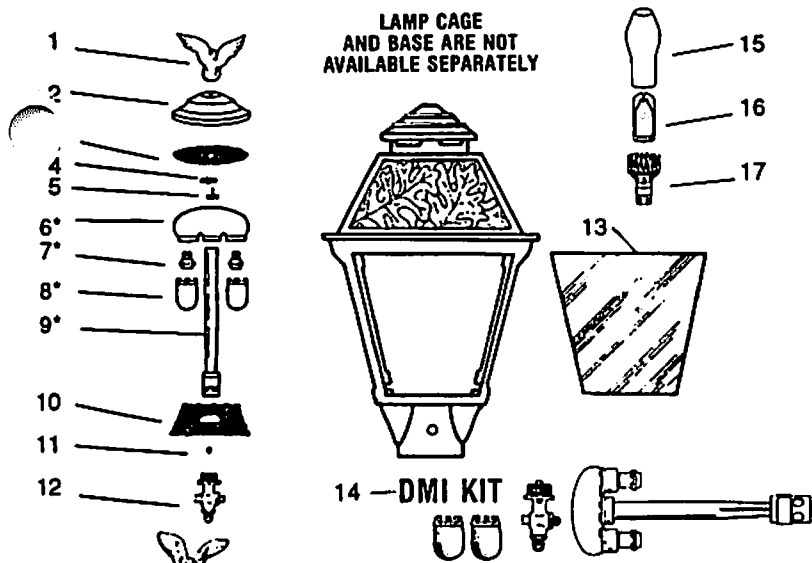
Do not place combustible materials near this appliance.

Do not store or use gasoline or other flammable vapors and liquids in the vicinity of this or any other appliance.

FOR YOUR SAFETY

The installation of this gas lamp must conform with all local codes or, in the absence of local codes, with the latest edition of the National Fuel Gas Code ANS Z21.42-1993.

THESE INSTRUCTIONS SHOULD BE LEFT WITH THE CONSUMER. KEEP THESE INSTRUCTIONS FOR FUTURE REFERENCE.



LAMP CAGE AND BASE ARE NOT AVAILABLE SEPARATELY

14 — DMI KIT

Complete lamp kit. Includes, orifice, valve, mixer tube with adjustable air shutter, burner head, ceramic tips and two mantles. Specify L.P. or NATURAL.

	HK	GG	HJ	TK	
1	HKA-1	HKA-1	HKA-1	HKA-1	Solid brass eagle
	HKA-1A	HKA-1A	HKA-1A	HKA-1A	Brass plated eagle
2	HKA-2	GGA-2	HJA-2	TKA-2	Lamp cap
3	LSU	LSU	LSU	LSU	Upper lamp screen bronze 4-3/8" dia.
4					Washer
5	1-3/4	1-5/8	1-3/4	1-5/8	Screw for cap and eagle 10-24
6	DIB	DIB	DIB	DIB	Burner head
7	BT-1	BT-1	BT-1	BT-1	Ceramic burner tip
8	MTL-2	MTL-2	MTL-2	MTL-2	Soft mantle-No. 2 ring size
9	ALS	ALS	ALS	ALS	Aluminum lamp tube
10	LSL	LSL	LSL	LSL	Lower lamp screen-Aluminum 3-5/8"X4-5/8"
11	ORF	ORF	ORF	ORF	Lamp valve orifice (specify L.P. or NAT.)
12	GLV	GLV	GLV	GLV	Lamp valve
13	GLS	GLS	GLS	GLS	Lamp glass (four (4) needed)
14*	DMI	DMI	DMI	DMI	Complete lamp burner kit **
15	CHM	CHM	CHM	CHM	Glass chimney
16	MTL-3	MTL-3	MTL-3	MTL-3	Upright mantle
17*	UBA	UBA	UBA	UBA	Upright burner assembly

Model HK

IMPORTANT

When ordering Parts specify lamp Model, (AL. or Brass) type of Gas (LP. or Nat.) also black or white.

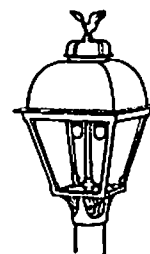
All lamps are available with inverted and upright burner. HK, GG, HJ - Post mount, wall, or pedestal mount (aluminum or brass).

TK - Post mount or pedestal mount only (aluminum only).

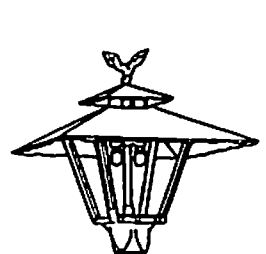
GG



HJ



TK



NOTE: In Canada, the installation shall be in accordance with: the current edition of CAN/CGA-B149.1 Natural gas installation code or CAN/CGA-B149.2 Propane gas installation code, and all local codes where applicable.

Replacement parts may be obtained through an authorized Modern Home Products distributor. Please call M.H.P. for your nearest distributor - (847) 395-6556.