



DECK/PATIO BASE ASSEMBLY (MPB) Installation Manual



SCAN THE
QR CODE FOR
ASSEMBLY VIDEO

English

⚠️ IMPORTANT SAFETY WARNINGS

The appliance is **FOR OUTDOOR USE ONLY**. It is not to be used inside a garage, other building or any type of enclosed area.

WARNING:

- All MHP Grill Heads may be mounted on the 2 foot post for in-ground installation.
- The gas supply may be either LP or Natural
- The grill head should not be attached to the post until the base has been permanently mounted to a deck or patio surface. Not recommended for use on patio pavers.

⚠️ DANGER: IF YOU SMELL GAS

1. Shut off gas to the appliance
2. Extinguish any open flame
3. Open lid
4. If odor continues, keep away from the appliance and immediately call your gas supplier or your fire department. **Failure to follow these instructions could result in fire or explosion which could cause property damage, personal injury or death.**

⚠️ WARNING: FOR YOUR SAFETY

1. Do not store or use gasoline or other flammable liquids or vapors in the vicinity of this or any other appliance
2. An LP cylinder not connected for use shall not be stored in the vicinity of this or any other appliance.
3. Follow all leak-test procedures in your owner's manual (*included with your grill head*) carefully before using. Do this even if the grill was dealer assembled. Do not try to light this appliance without reading the "Lighting" instructions.

📄 PARTS LIST:

The following parts are included with your assembly.

PARTS FOR POST INSTALLATION

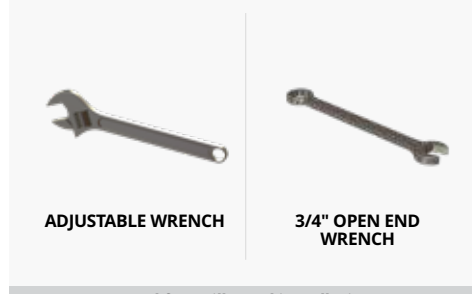


PARTS TO ATTACH GRILL HEAD TO POST



⚙️ TOOLS LIST:

Used for Post installation



Used for Grill Head installation



Additional Items Needed For Patio Base Installation (Not Included)



STEP 1 DECK/PATIO MOUNTING ASSEMBLY



Please check to be sure that all parts are included before proceeding. Contact your dealer if any parts are missing. Make sure to choose an assembly location with plenty of clearance.

Make sure your main gas supply is turned off before starting assembly.

- Turn base on edge and insert the 2" post. Align the notches in the post with the notches in the base.
- ⚠ **Close tolerances may require you to tap the top of the post to seat it completely into the base socket which will help to align the bolt slots**
- Fasten post to base with four 1/4-20 x 3/4" Hex Bolts, Washers and Kep Nuts. Place Washers as shown and tighten.
- Attach the tube clip with the an 8-32 self-tapping screw on either the left or right side depending on direction of the gas

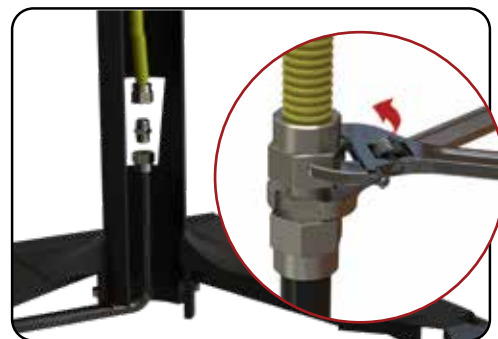


STEP 2 CONNECTING THE GAS SUPPLY LINE

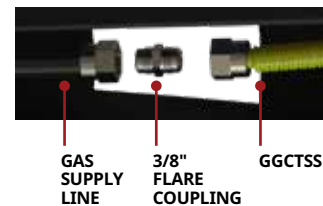


When installing a new gas line, it is recommended that you contact a plumber, heating contractor or licensed gas fitter to install your new gas line to meet local building code. Be certain there are no combustible materials closer than 18" away (above, behind, left or right) from your assembled grill before permanently securing it as referenced in Step 3.

- **Mark the location of the four holes at the outside corners of the patio base and drill four holes.** After you have connected the gas supply line, the base will be fastened down with lag bolts (not supplied by MHP) that are appropriate to your concrete or wood application. The top post notch should be at the front of the grill and the rear access door will be in the back of the grill.
- **Run the gas supply line into the post from the bottom to reach the access door and bend it 90° to exit the base at either notch.** The patio base is notched on two sides to allow the gas line to exit either right or left.
- ⚠ **The gas supply line must be regulated** (in the case of natural gas that means it should be connected after your gas meter and regulator) **and you must have an easily accessible main shut-off valve to your grill's gas supply.** Grills are designed to operate on a pressure of 7" w.c. in. for Natural or 11" w.c. in for Propane at the grill valve connection.
- **Secure the gas line with the tube clip.** (Option: On a raised deck if the gas supply line is to be run straight up into the post from below, use the tube clip to attach the gas line to the deck for support.)



At the post access window connect a 3/8" flare coupling (not supplied by MHP) to the gas supply line then the flexible stainless-steel tubing (GGCTSS) using a 3/4" wrench. The use of two wrenches is recommended—one wrench is used to hold fitting while the other is used to tighten.



WARNING: The ASCPL1 hose kit should not be used in place of the supplied GGCTSS flexible stainless steel tubing. This can result in fire and/or damage to your grill.

- ⚠ **Tighten very securely as flare fittings are a metal-upon-metal surface seal and no additional gas sealant is needed.** Once your grill head is attached you should go back and check for any gas leaks with a soap and water solution before using your grill.

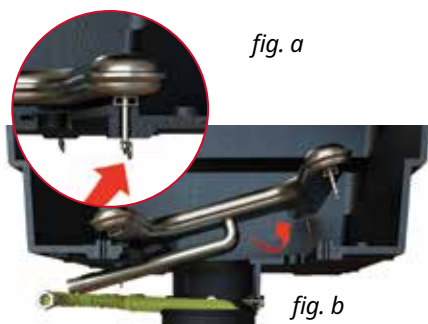
STEP 3 SECURING THE PATIO BASE

After checking connections...

- **Cover the access hole using the Access Cover.**
- **Anchor the Patio Base Plate into place.** There are four corner holes. Based on the type of concrete or wood floor you have, fully secure the Patio Base with the appropriate lag bolts for your application.



STEP 3 ATTACH GRILL HEAD TO POST



First, remove the grill burner by taking out the cotter pins located under the bottom grill head (fig. a) then, pull the burner up and out of the grill head (fig. b). This will allow access to hold the Kep nuts inside the post while attaching the bottom casting.



Set the bottom casting carefully in place, align the holes and use the 1/4-20 x 3/4" bolts and 1/4-20 Kep nuts to attach the casting to the post. Use a 7/16" nut driver to hold the Kep nut inside the post while tightening your bolt using a 7/16" Open-End Wrench or Socket Wrench.



Mount the grease cup holder to the rear flange hold with a 1/4-20 x 3/4" bolt and 1/4-20 Kep nut. The grease cup holder is supplied with the grill head.

You are now ready to reinstall your grill burner. Please reference your grill installation manual for instructions.

Please reference your grill installation manual for further assembly information.



BENDING STAINLESS STEEL TUBING

After you have successfully assembled your grill—hook up your flexible stainless steel tubing (GGCTSS) to your gas valve and check all connections.

Do not make sharp bends when bending your flexible stainless-steel tubing to match the feed of your grill valve and position in the top notch of the post.



TECHNICAL SUPPORT

Modern Home Products

150 South Ram Road • Antioch, IL 60002

847.395.6556 • 888.647.4745

Customerservice@mhpgrills.com • www.mhpgrills.com

California Proposition 65 Warning: This product can expose you to chemicals including Chromium (hexavalent compounds), which are known to the State of California to cause cancer and birth defects or other reproductive harm. For more information go to: www.P65Warnings.ca.gov.